

Contact Exposure
with
X-Y Independent Filmmask
Scaling

Sep.2007

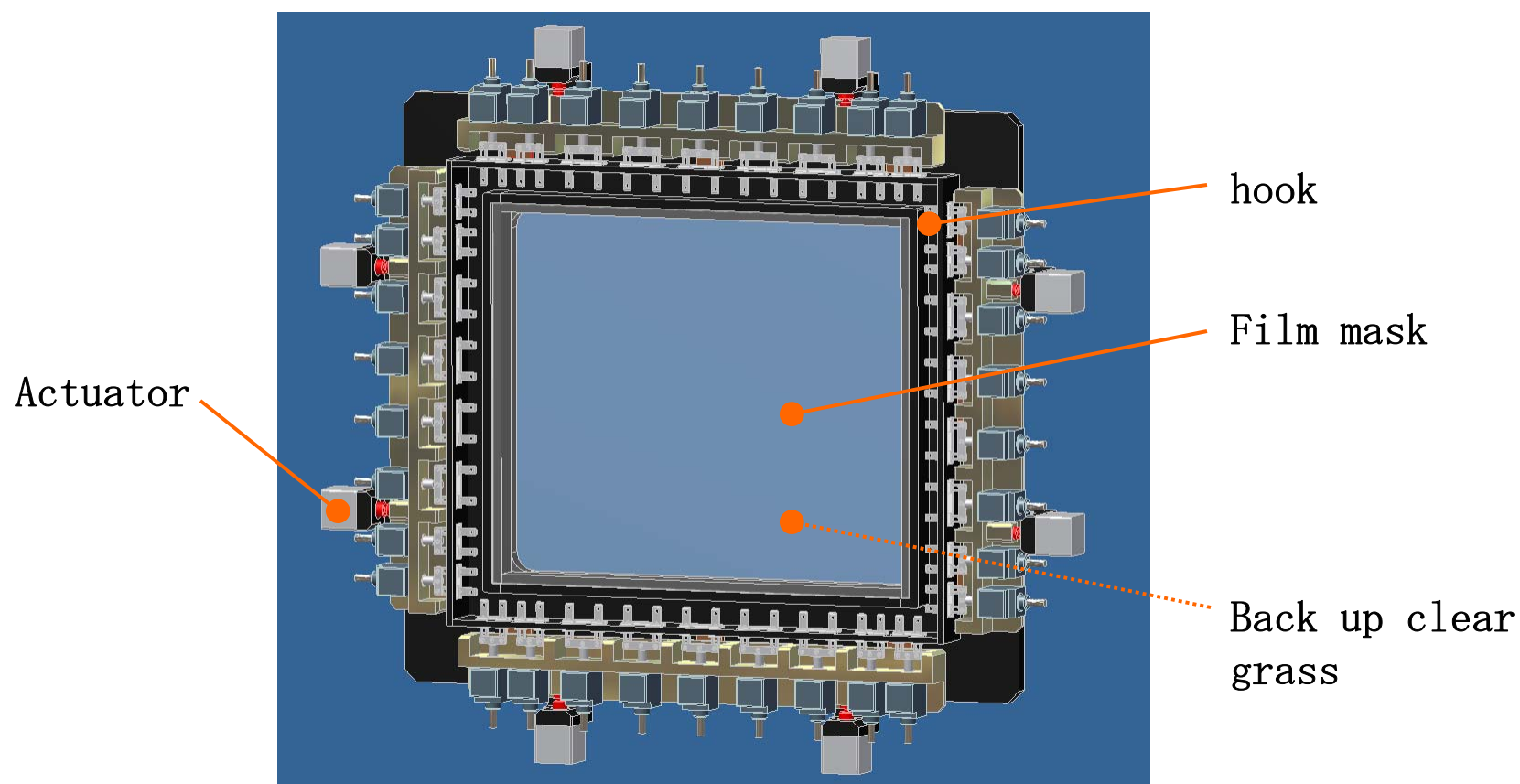
X-Y Independent Scaling

Enable to:

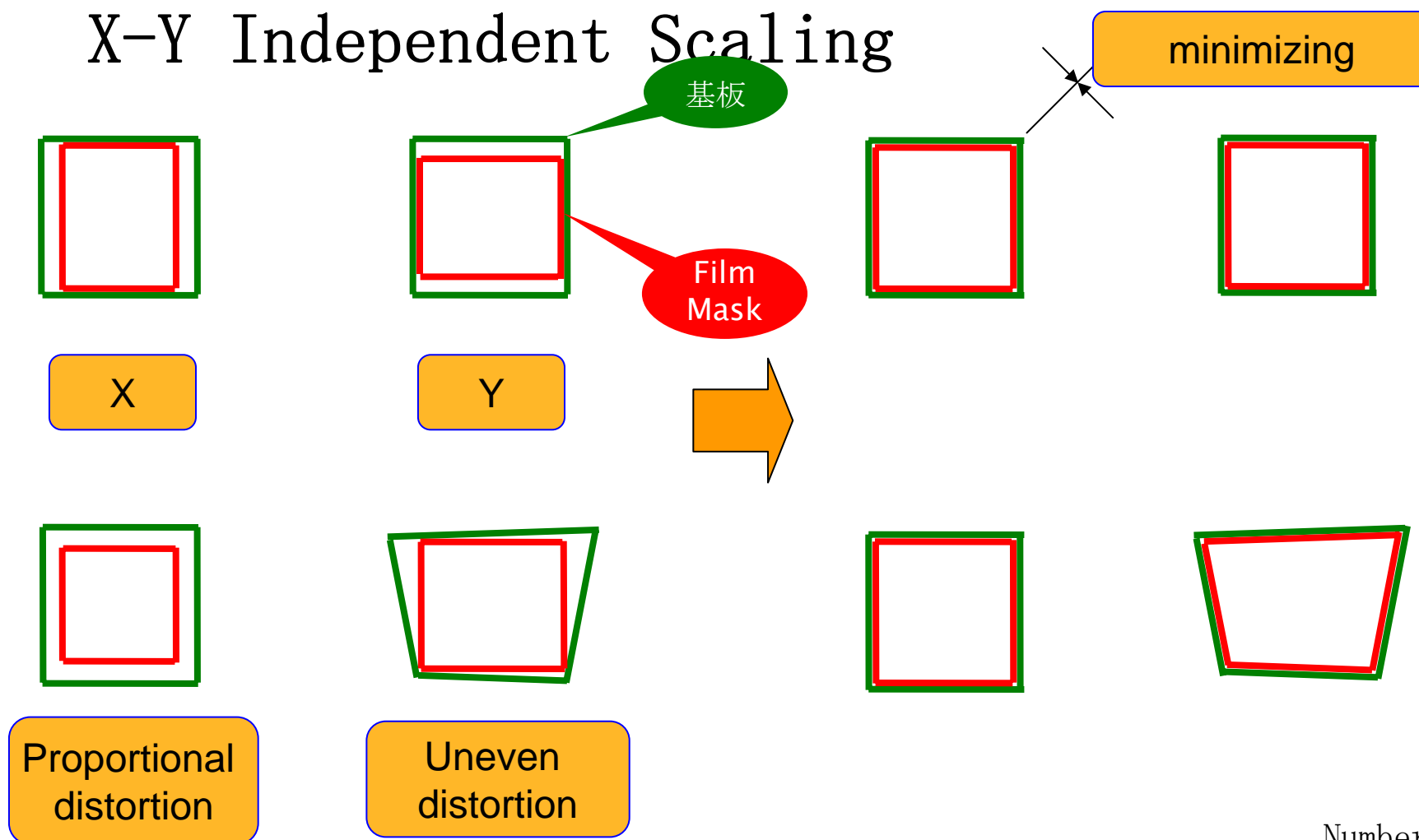
- 1)Scale up filmmask exactly to panel distortion
- 2)Scale up filmmask to required dimensions

- High accuracy \rightarrow within $20 \mu\text{m}$
- High productivity \rightarrow 120 panels/Hr
- High resolution \rightarrow $30 \mu\text{m}$ L/S

ST (Film Stretch) devices



X-Y Independent Scaling



Thru-put comparison

1. Conventional contact exposure:
→ 21 sec/panel

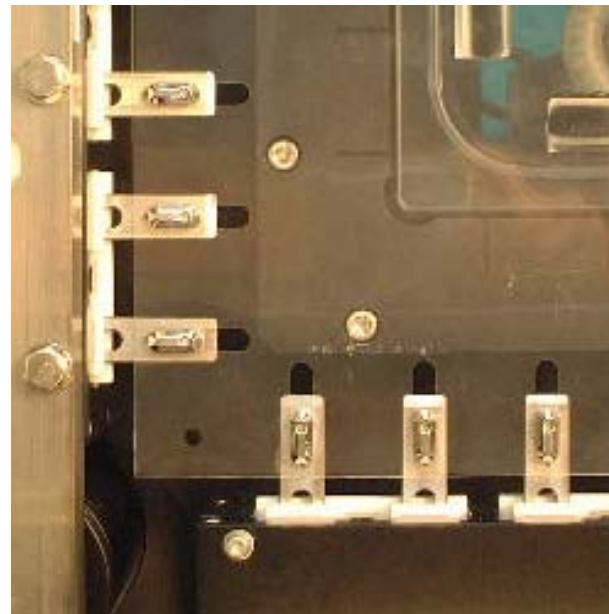
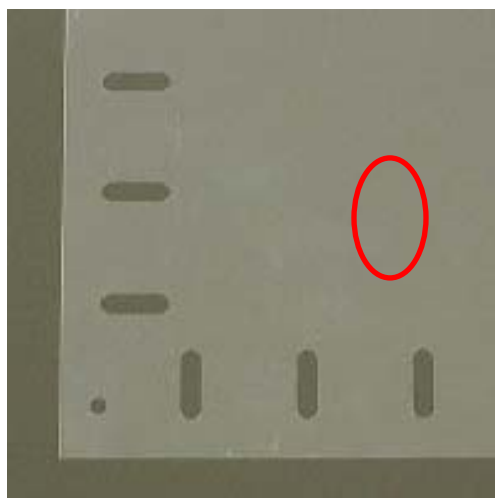
2. HAP with Scaling:
→ 30sec/panel

Main Specifications

1. Max. panel size : 610x510mm
2. Filmmask size : 32x28inch
3. Max. scaling : 500ppm

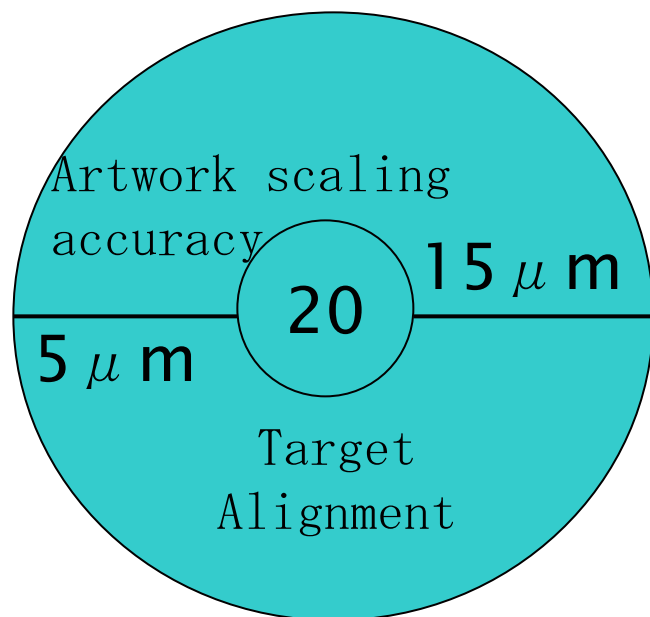
Filmmask

Edges punched for Film mask hooking
→ by accessory puncher



Filmmask scaling & Glassmask scaling

Film mask scaling



Glass mask scaling

